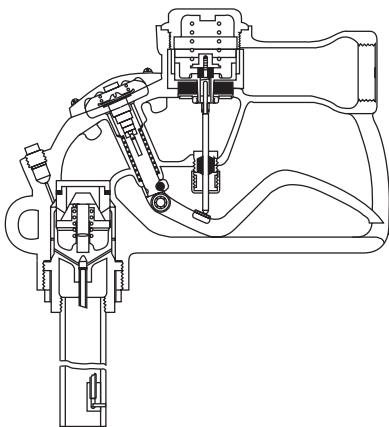
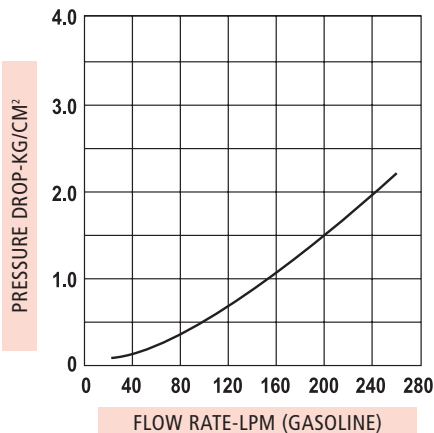
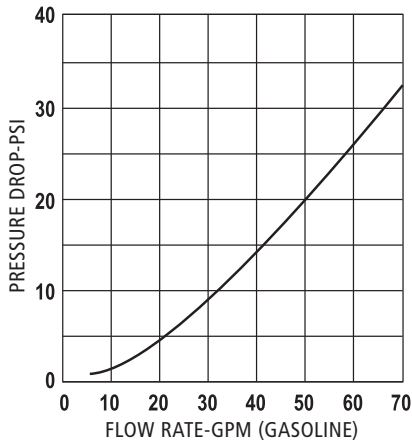


## OPW 1291C Automatic Shut-Off Nozzles

For Heavy-Duty, High-Flow Truck, Bus and Home Fuel Oil Delivery Service



### Materials

- Body: Aluminum
- Main stem: Stainless-steel
- Packing: Graphite with Teflon®
- Main Disc: Viton®
- Inlet Size: 1-1/2" NPT



1291C-0050

### Features

- ◆ Venturi-Type Shut-Off Mechanism – for automatic shut off.
- ◆ Aluminum Body – lighter in weight and easier to maneuver than other nozzles on the market.
- ◆ Two-position hold-open device\*.
- ◆ One-Hand Control of Hold-Open Mechanism – means easy setting of flow rate.
- ◆ Right-Angle Design – provides larger lever area for better grips and easier control, permitting the nozzle to fit into awkward spaces close to walls and into corners.
- ◆ Easy Spout Replacement – simply remove the spout's retainer nut.
- ◆ Built-In Outlet Check Valve – meets all known requirements of the Division of Measurement Standards.
- ◆ Dual Poppets – make nozzle easy to open against high inlet pressure.

### Design working pressure

- ◆ 50 psi (3.45 bar) maximum pressure.
- ◆ Service Temperature range: -20° F to 140° F (-29°C to 60°C)

### Ordering Specifications

Product #	Description	Inlet Thread			
		in.	mm	lbs.	kg
1290-0050	New	1 1/2"	38	6.8	3.1
1291C-0050*	New	1 1/2"	38	6.8	3.1
1290G-0050	New	1 1/2"	38	6.8	3.1

Government National Stock #s:  
 1290-0050; NSN 4930-01-290-0756  
 1290G-0050; NSN 4930-01-352-1660 green anodized  
 1290GS-0050; NSN 4930-01-352-1661 tan anodized  
 (1290GS-AR50; tan anodized without Kamlok coupler and dust plug)

### Replacement Spout

Product #	Description	O.D.		Length		Weight	
		in.	mm	in.	mm	lbs.	kg
5D-0125	8-1/2", 1290, Spout Kit	1 3/8"	35	8 1/2"	215	1.5	0.68
5D-0126C	8-1/2", 1291C, Spout Kit	1 3/8"	35	8 1/2"	215	1.5	0.68

1290 Series Instruction Sheet Order Number: H09238PA

### Listings and Certifications



\*1291C Nozzles are not permitted and sold with Hold-Open Clips per ULc S620 requirements.