



# PRODUCT DATA SHEET

## F040-3S3 - 1 1/2" MECHANICAL FLOW METER WITH STANDARD MECHANICAL DISPLAY

The M Series 1 1/2" MECHANICAL FLOW METER are suitable for flows between 10 – 250 L/min (2.64 - 66.04 GPM), providing highly accurate flow measurement performance. The M Series offers ±1.00% accuracy of true reading in a compact footprint, requiring no flow conditioning and with high pressure and temperature capabilities.

### Key features include:

- Cast Aluminium construction
- FKM (Viton) seals
- Maximum flow rate 250 L/min / 66.04 GPM
- Accuracy of ±1.00% of reading
- Exceptional repeatability of ±0.03%
- Temperature up to 80 °C / 176 °F
- 1 point factory calibration as standard, with additional points upon request

### SPECIFICATIONS



F040-3S3

		F040-3S3		
Material of construction	Meter Body	Cast Aluminium		
	Rotor	PPS		
	Seals	FKM (Viton)		
Design Specifications				
Process Connections		1 1/2" NPT Thread [w/ litres mech display]		
Technical Specifications		min	max	
	Flow rate			
	< 5cPr	15	235	L/min
		3.96	62.08	GPM
	> 5cP	10	250	L/min
		2.64	66.04	GPM
	Non lubricating fluids	-	250	L/min
		-	66.04	GPM
Operating Temperature Range**		-40	80	°C
		-40	176	°F
Accuracy (±%)	1.00%			
Repeatability (±%)	0.03%			
Nominal K-Factor		- Pulses/Litre		
		- Pulses/Gallon		

### OUTPUT TYPE



STANDARD MECHANICAL DISPLAY

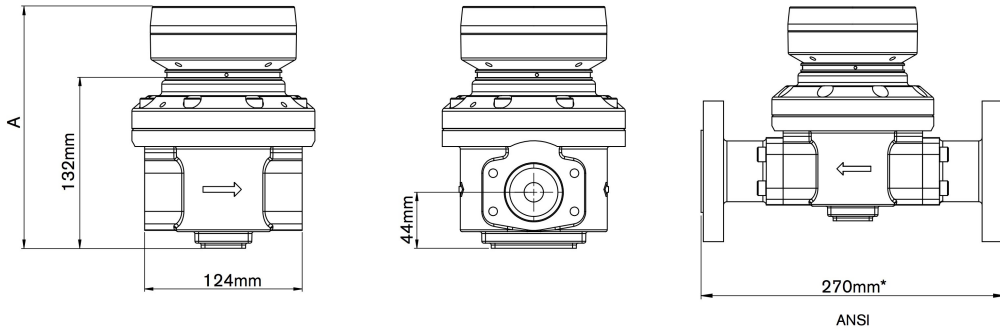
		Standard Mechanical	
Construction	Polypropylene		
IP Rating	IP56		
Temp	Min: - Max: - °C		
	Min: - Max: - °F		
EX Approvals	-		Please refer to instruction manual and certification documentation for product appropriate certification information
Display			
Digit size (upper/lower)	5mm/5mm		
Accumulated total			✓
Resettable total			✓
Preset total			✗
Flow rate			✗
Outputs			
4-20 mA (passive)			✗
Pulse/Transistor Output			✗
Flow Alarm			✗
Batch Control output			✗



macnaught

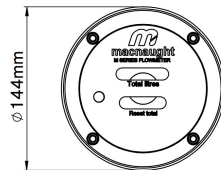
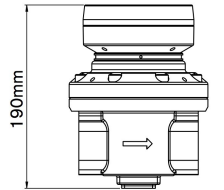
# PRODUCT DATA SHEET

F040-1S3  
M040-1S3  
S040-1S3



DISPLAY HEIGHT - A

TYPE 3  
MECHANICAL REGISTER - STANDARD



TYPE 4  
MECHANICAL REGISTER - HEAVY DUTY

