



PRODUCT DATA SHEET

F050-3S4 - 2" MECHANICAL FLOW METER WITH HEAVY DUTY MECHANICAL DISPLAY

The M Series 2" MECHANICAL FLOW METER are suitable for flows between 15 – 500 L/min (3.96 - 132.09 GPM), providing highly accurate flow measurement performance. The M Series offers ±1.00% accuracy of true reading in a compact footprint, requiring no flow conditioning and with high pressure and temperature capabilities.

Key features include:

- Cast Aluminium construction
- FKM (Viton) seals
- Maximum flow rate 500 L/min / 132.09 GPM
- Accuracy of ±1.00% of reading
- Exceptional repeatability of ±0.03%
- Temperature up to 80 °C / 176 °F
- 1 point factory calibration as standard, with additional points upon request

SPECIFICATIONS



F050-3S4

		F050-3S4		
Material of construction	Meter Body	Cast Aluminium		
	Rotor	PPS		
	Seals	FKM (Viton)		
Design Specifications		2" NPT Thread [w/ litres mech display]		
Process Connections		2" NPT Thread [w/ litres mech display]		
Technical Specifications		min	max	
	Flow rate	15	500	L/min
	< 5cPr	3.96	132.09	GPM
	> 5cP	15	500	L/min
		3.96	132.09	GPM
	Non lubricating fluids	-	500	L/min
		-	132.09	GPM
Operating Temperature Range**		-40	80	°C
		-40	176	°F
	Accuracy (±%)	1.00%		
	Repeatability (±%)	0.03%		
	Nominal K-Factor	- Pulses/Litre - Pulses/Gallon		

OUTPUT TYPE



HEAVY DUTY MECHANICAL DISPLAY

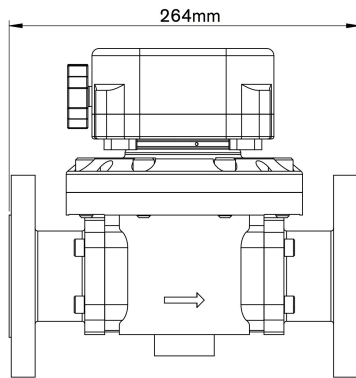
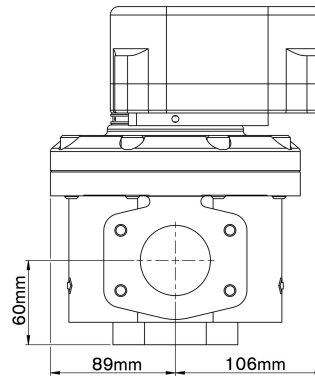
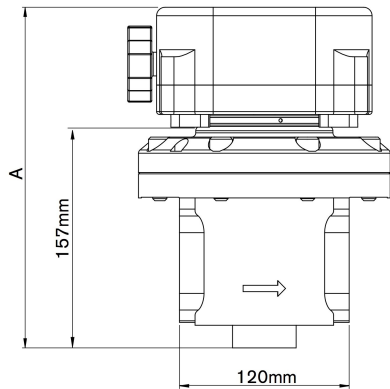
		Heavy Duty Mechanical	
Construction	Aluminium		
IP Rating	IP67		
Temp	Min: - Max: - °C		
	Min: - Max: - °F		
EX Approvals	-		Please refer to instruction manual and certification documentation for product appropriate certification information
Display			
Digit size (upper/lower)		17mm/6mm	
Accumulated total		✓	
Resetable total		✓	
Preset total		✗	
Flow rate		✗	
Outputs			
4-20 mA (passive)		✗	
Pulse/Transistor Output		✗	
Flow Alarm		✗	
Batch Control output		✗	



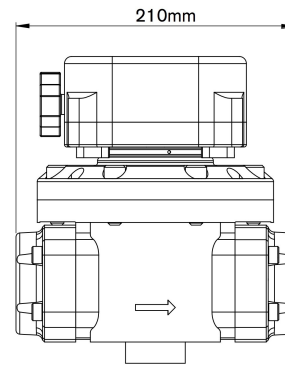
macnaught

PRODUCT DATA SHEET

F050-1S4
S050-1S4
M050-1S4



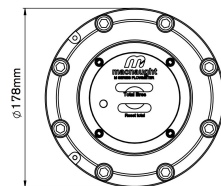
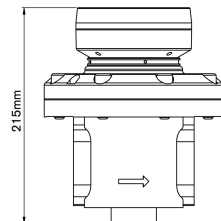
ANSI/DIN/JIS



G/NPT

DISPLAY HEIGHT - A

TYPE 3
MECHANICAL REGISTER - STANDARD



TYPE 4
MECHANICAL REGISTER - HEAVY DUTY

