

PRODUCT DATA SHEET

F025-3S4 - 1" MECHANICAL FLOW METER WITH HEAVY DUTY MECHANICAL DISPLAY

The M Series 1" MECHANICAL FLOW METER are suitable for flows between 6 – 120 L/min (1.59 - 31.70 GPM), providing highly accurate flow measurement performance. The M Series offers $\pm 1.00\%$ accuracy of true reading in a compact footprint, requiring no flow conditioning and with high pressure and temperature capabilities.

Key features include:

- Cast Aluminium construction
- FKM (Viton) seals
- Maximum flow rate 120 L/min / 31.70 GPM
- Accuracy of $\pm 1.00\%$ of reading
- Exceptional repeatability of $\pm 0.03\%$
- Temperature up to 80 °C / 176 °F
- 1 point factory calibration as standard, with additional points upon request

SPECIFICATIONS



F025-3S4

		F025-3S4		
Material of construction	Meter Body	Cast Aluminium		
	Rotor	PPS		
	Seals	FKM (Viton)		
Design Specifications		1" NPT Thread [w/ litres mech display]		
Process Connections		1" NPT Thread [w/ litres mech display]		
Technical Specifications		min	max	
	Flow rate			
	< 5cPr	10	100	L/min
		2.64	26.42	GPM
	> 5cP	6	120	L/min
		1.59	31.70	GPM
	Non lubricating fluids	-	120	L/min
		-	31.70	GPM
Operating Temperature Range**		-40	80	°C
		-40	176	°F
	Accuracy ($\pm\%$)	1.00%		
	Repeatability ($\pm\%$)	0.03%		
	Nominal K-Factor	- Pulses/Litre - Pulses/Gallon		

OUTPUT TYPE

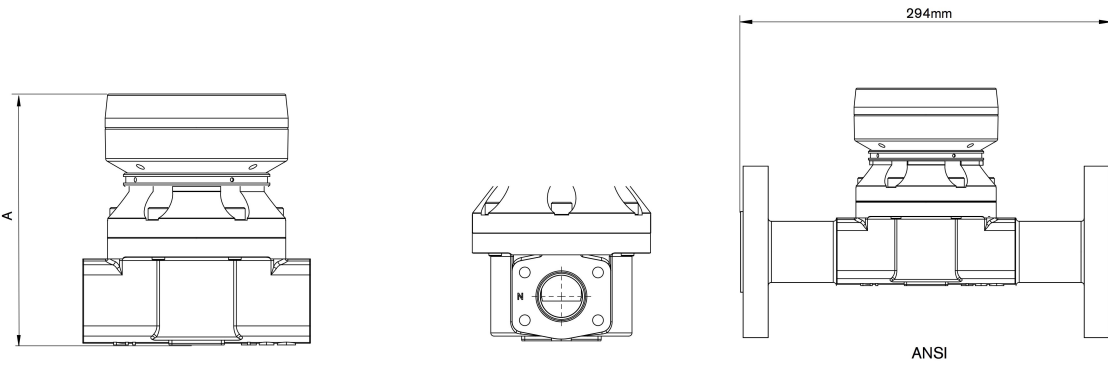
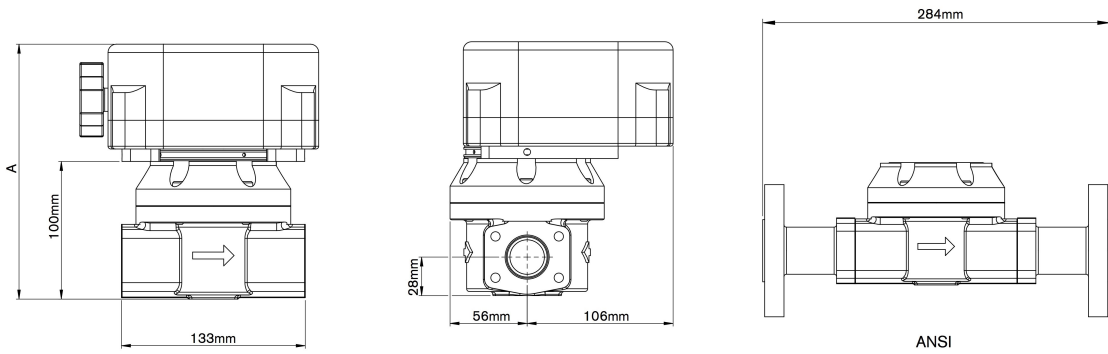


HEAVY DUTY MECHANICAL DISPLAY

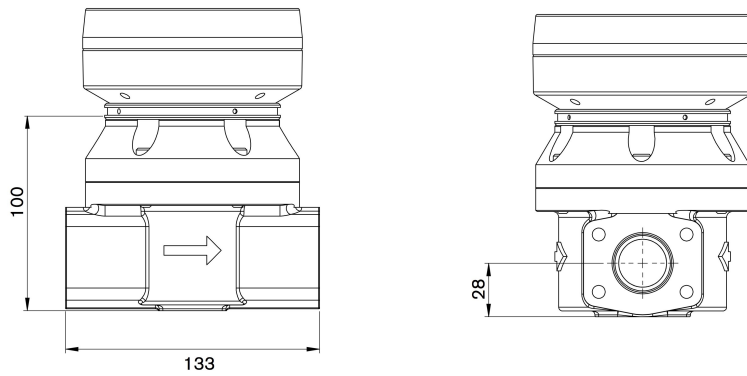
		Heavy Duty Mechanical	
Construction	Aluminium		
IP Rating	IP67		
Temp	Min: - Max: - °C		
	Min: - Max: - °F		
EX Approvals	-		
Please refer to instruction manual and certification documentation for product appropriate certification information			
Display			
Digit size (upper/lower)	17mm/6mm		
Accumulated total	✓		
Resetable total	✓		
Preset total	✗		
Flow rate	✗		
Outputs			
4-20 mA (passive)	✗		
Pulse/Transistor Output	✗		
Flow Alarm	✗		
Batch Control output	✗		



PRODUCT DATA SHEET

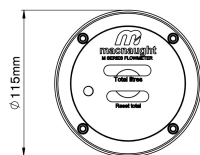
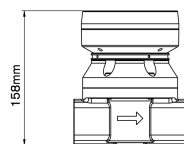


F025-1S3



DISPLAY HEIGHT - A

TYPE 3
MECHANICAL REGISTER - STANDARD



TYPE 4
MECHANICAL REGISTER - HEAVY DUTY

