

RT14 RATE / TOTALIZER



The **FLOMEC® LCD display RT14** is a fully programmable self-powered rate / totalizer specifically designed for computing and displaying flow rates and totals from flow meters with pulse, sine wave or frequency outputs. The instrument displays resettable (batch) total, accumulative total and instantaneous flow rates in engineering units as programmed by the user. Flow meter inputs: suitable use with most pulse/frequency output meters such as reed switch, coil, voltage pulse (Wiegand), NPN and PNP.

FEATURES / BENEFITS

- Battery, external DC, or loop powered
- Easy to read backlit LCD display
- Robust IP66/67-NEMA4X universal mount glass reinforced nylon enclosure with rubberized buttons and polycarbonate lens
- Large selection of engineering units for flow rate and total
- Ten point linearization
- 4-20mA analogue output according to flow rate
- Flow alarm for high, low or high/low
- Scaled pulse output according to accumulative total
- Simple flow chart touch key programming
- Non volatile memory, long battery life
- Flow meter and pipe mount kits available
- Broad operating temperature range

PRODUCT MODELS

Model No.	Description
RT142D0MM-I	GRN - Integral Meter Mount - Intrinsically Safe
RT142D0FM-I	GRN - Universal Mount - Intrinsically Safe
RT142D0MM	GRN - Integral Meter Mount - Safe Area Only
RT142D0FM	GRN - Universal Mount - Safe Area Only

APPROVALS / WARRANTY



CONTROL OUTPUTS

Scaled and unscaled pulse outputs allow transmission of accumulative flow data to remote control systems. Flow alarms are available to protect flow systems from flow rates that are 'high', 'low', or both, and an analogue 4-20mA signal offers flow rate monitoring and control by accurately transmitting flow rate readings from the flow meter to your PLC or PID control system.

PROGRAMMING

Simple PIN protected flow chart programming with English prompts guide you through the programming routine greatly reducing the need to refer to the instruction manual.

RT14

RATE / TOTALIZER

SPECIFICATIONS

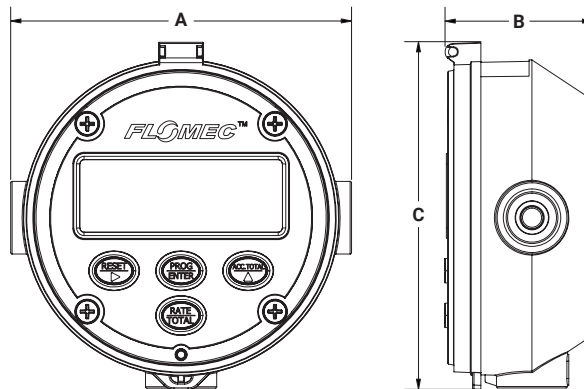
LCD Display	8 digit alpha-numeric LCD display with 12 mm characters with backlight*
Instantaneous Flow Rate	8 digit to 3 decimal points
Engineering Units Displayed	Litre, mL, Gallon, Quart, Cubic Metre, Pounds, Kilograms or Nil
Input Types	Reed, NPN/PNP, mV sinewave (Turbine flow meters), Wiegand Sensors (voltage pulse)
Input Frequency	1.2 kHz (NPN/PNP), 2 kHz (Coil inputs), 120 kHz (Reed)
Input Scaling Range	0.0001 ~ 9999999.9999 with 4 floating points
Linearization	10 point correction
Pulse Outputs	One selectable digital output for scaled pulse, unscaled pulse, high, low or high/low alarms
Analogue Output	12 bit 4-20mA ($\pm 0.05\%$ FS at 25°C)
Operating Temperature	-22°F - +176°F (-30°C - +80°C)
Power Sources	AA 3.6V Lithium Thionyl Chloride Battery, external DC powered or loop powered (12 - 30V (DC))
Enclosures	High impact glass reinforced Nylon (PA6) with a Polycarbonate lens, Nitrile O-Ring seals and Polyurethane gaskets, providing an IP rating of IP66/67 [^]
Mounting	Flow meter & stem mount, wall, pipe or panel mount [^]
Approvals	Intrinsically Safe - IECEx / ATEX (optional) Ex ia IIB T4 Gb (-30°C < Ta < +70°C)

* Backlight possible when connected to external power

[^] Panel mount seal kit required to maintain IP66/67 rating when separating front and rear housing for mounting

DIMENSIONS

Dimension "A"	Dimension "B"	Dimension "C"
4.8 in. (12.2 cm)	2.1 in. (5.3 cm)	4.9 in. (12.4 cm)



ACCESSORIES

1522001	Stainless steel wall mount kit
1522002	Stainless steel 2 in. pipe mount kit
1504003	Panel Mount Seal Kit